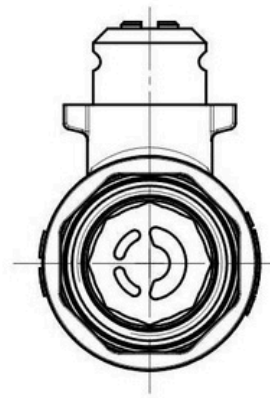
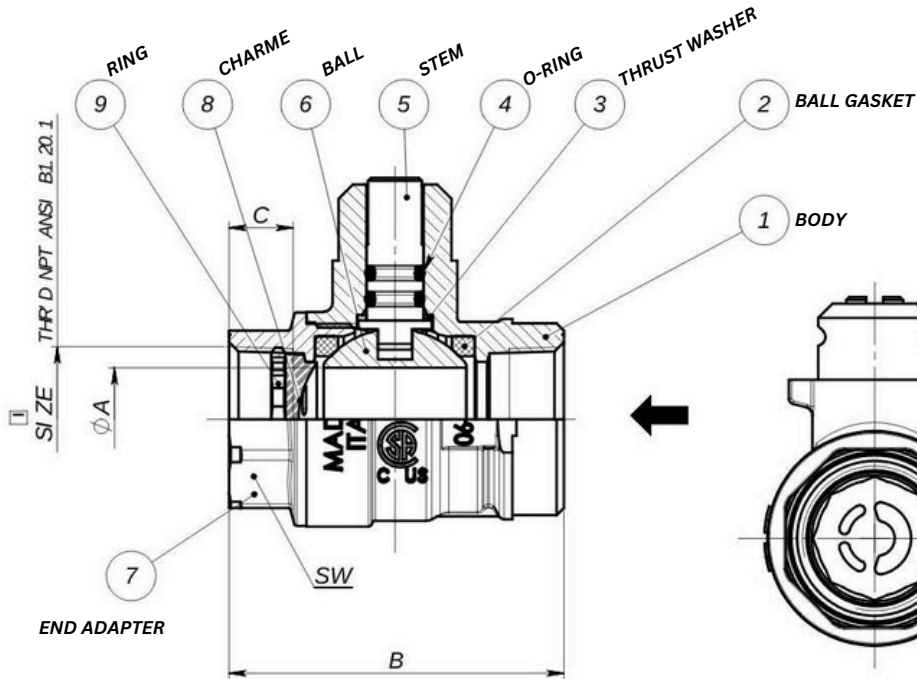


12500 SERIES

BRASS BALL VALVE FEMALE X FEMALE NPT QUICK MOUNTING NICKEL PLATED WITH MOUNTING CONNECTION FOR ELECTRICAL ACTUATOR



- **MOQ REQUIRED**

SPECIFICATION

BRASS BODY NICKEL PLATED CONNECTION FOR ELECTRICAL ACTUATOR

SIZES: 1/2"-2"

CONNECTION: FEMALE X FEMALE NPT THREADED

STANDARD: ANSI B1.20.01

PRESSURE:

145 PSI

TEMPERATURE: -4° F TO 266° F

APPLICATION: HOT AND COLD WATER, COMPRESSED AIR, OILS, ALL KINDS OF GASES, NON-CORROSIVE FLUIDS

DIRECTION OF FLOW: IN THE DIRECTION OF THE ARROW

MADE IN ITALY

COMPONENTS

N°	DESCRIPTION	MATERIAL
1	BODY	EGM.001
2	BALL GASKET	EGM.009
3	THRUST WASHER	EGM.009
4	O-RING	EGM.0.51 + EGM.014
5	STEM	EGM.064
6	BALL	EGM.064
7	END ADAPTER	EGM.001
8	CHARME	PLASTIC
9	RING	EGM.001

DIMENSIONS

CODE	SIZE	DN	ØA	B	C	SW	PN	INCHES
12500-005	1/2"	0.59	0.59	2.17	0.58	26	10	
12500-007	3/4"	0.79	0.79	2.40	0.56	31	10	
12500-010	1"	0.98	0.98	2.95	0.66	38	10	
12500-015	1-1/2"	1.26	1.26	3.58	0.68	54	10	
12500-020	2"	1.57	1.57	4.13	0.70	65	10	